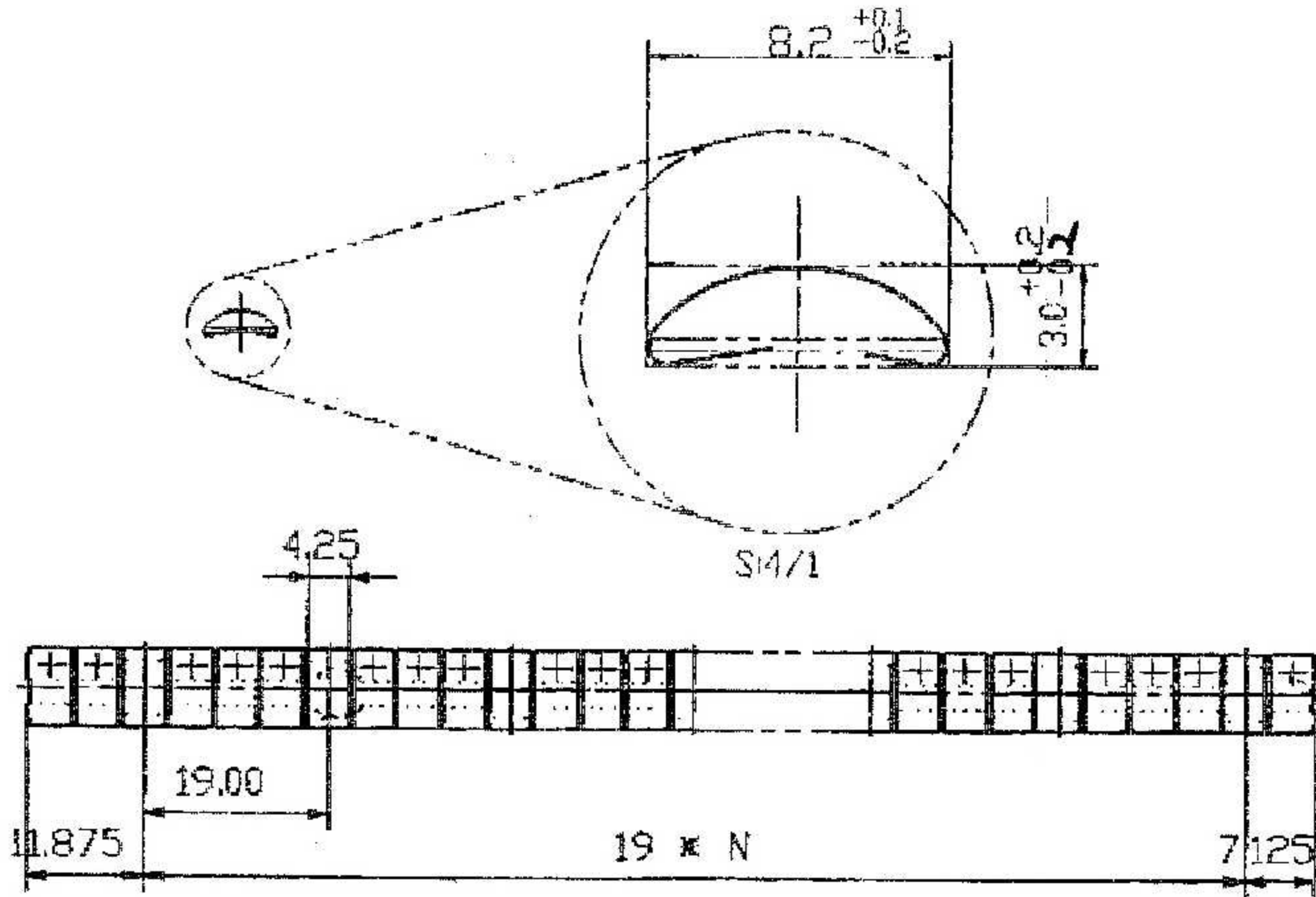


No	Name	Material	Remark
1	finger strip	BeCu 0.05t	
2			
3			
4			



Designed by	Reviewed by	Approved by	Rev	Date	Description	Revised	Checked	Part No	FEA641 (Cover)		TITLE	FINGER STRIP
								DWG No			Form	
								Unit	mm	General Tolerance		
2007. . .	2007. . .	2007. . .						SCALE	1 / 1	PROJECTION		